

## warnings

- Laser class 2
- Max. Output power < 1 mW
- Wavelength 650 nm (red)
  
- Never point the laser pistol at persons or animals!
- Never point the laser beam at smooth reflective surfaces (mirrors, etc.)!
- Never look directly or with optical instruments into the laser beam!
- Keep away from children.
- Do not continue to use the laser pistol if it is damaged and do not manipulate it.
- Only pass on the laser attachment to third parties together with these operating instructions.
- Apparent weapons may not be carried in public.

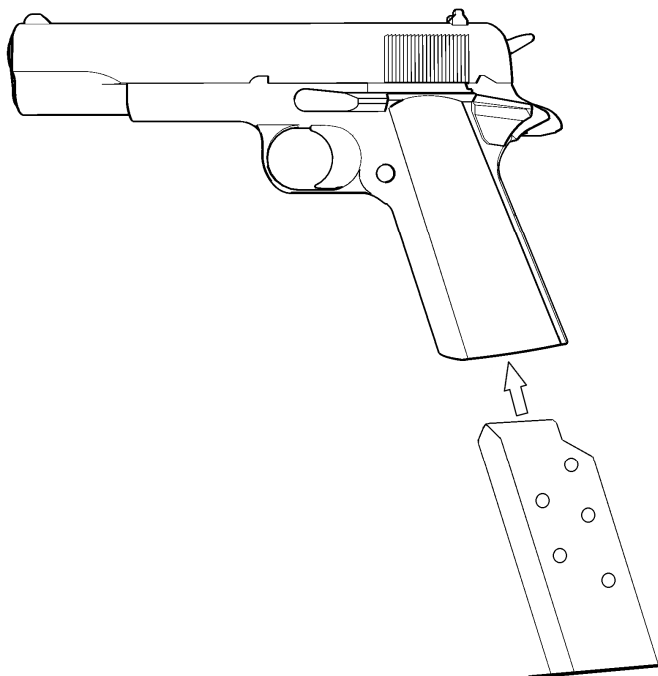


## operation

The laser pistol is switched on and off by a magnetic switch and a magnet in the magazine.

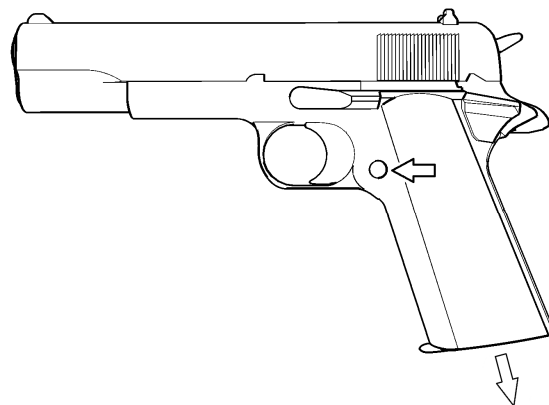
### Switch on

To switch on the laser pistol, the magazine must be pushed into the handle of the laser pistol as far as it will go.



### Switch off

To turn it off, press the button on the left side and remove the magazine. When not in use, the laser gun should be turned off to extend battery life.

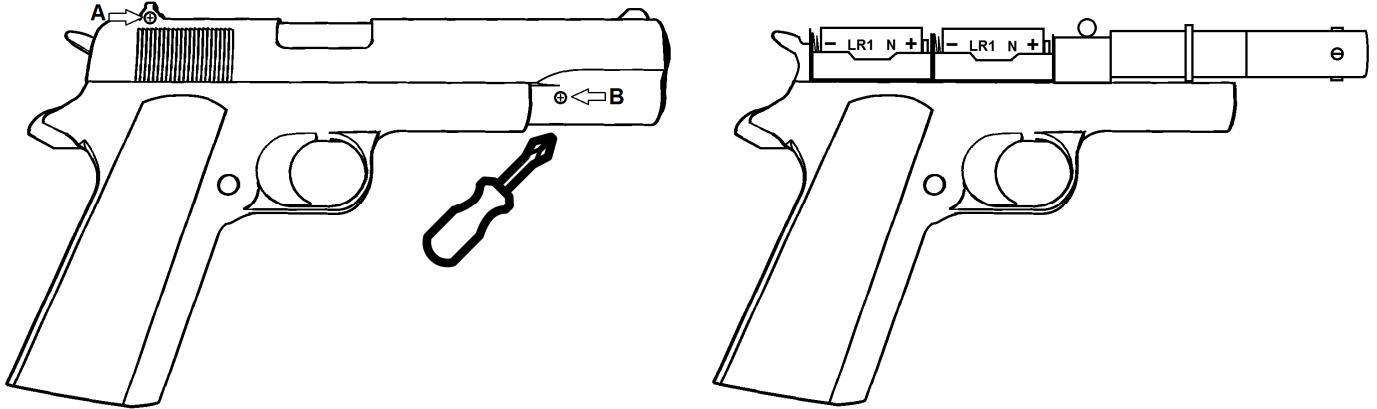


## continuous lighting

If the trigger is pressed when switching on, the pistol switches to a mode in which the laser lights up permanently. This can be used to adjust the laser and test the calibration of the system. The laser runs in this mode with reduced power. However, the above safety rules must be applied. By pressing the trigger, the laser pistol returns to normal mode, in which each press of the trigger leads to a short laser pulse of approx. 40 ms duration.

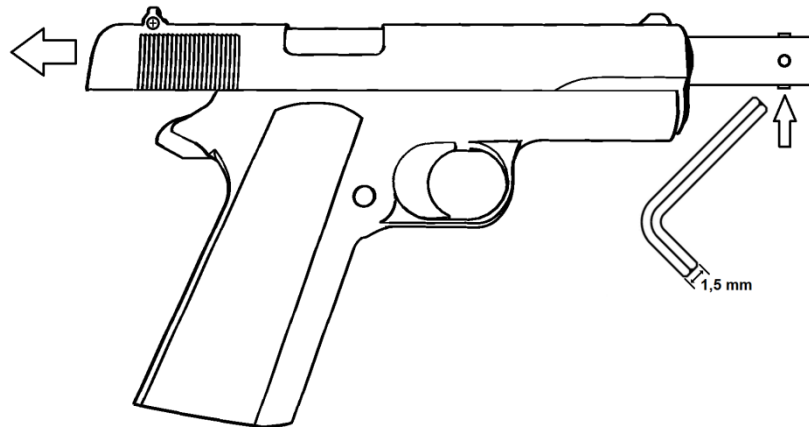
## battry change

To change the batteries, the carriage must be removed. To do this, remove screw A and loosen screw B at least slightly. This requires a fine Phillips screwdriver. When inserting new batteries, make sure that the polarity is correct. Two LR1 batteries are required.



## adjusting the laser

The laser can be adjusted by 4 small screws on the barrel. To do this, the carriage must be retracted to expose the screws.



To adjust the laser a little to the left, for example, the right screw must first be unscrewed a little and then the left screw must be screwed in a little further. Make sure that neither of the two screws is screwed in or out completely. When adjusting in another direction, proceed in the same way.

## disposal

Electrical and electronic equipment that falls under the "ElektroG" Act is marked with the accompanying label and may no longer be disposed of as residual waste, but can be handed in free of charge at municipal collection points, e.g. recycling centers.

As an end consumer, you are legally obliged (Battery Ordinance) to return used batteries and accumulators. Batteries and rechargeable batteries containing harmful substances are marked with the adjacent label. Disposal with household waste is prohibited. Used batteries/rechargeable batteries can be disposed of free of charge at municipal collection points, e.g. recycling centers or wherever batteries/rechargeable batteries are sold!

