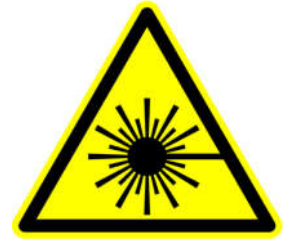


warnings

- Laser class 2
- Max. Output power < 1 mW
- Wavelength 650 nm (red)
- Never point the laser pistol at persons or animals!
- Never point the laser beam at smooth reflective surfaces (mirrors, etc.)!
- Never look directly or with optical instruments into the laser beam!
- Keep away from children.
- Do not continue to use the laser pistol if it is damaged and do not manipulate it.
- Only pass on the laser attachment to third parties together with these operating instructions.
- Apparent weapons may not be carried in public.



operation

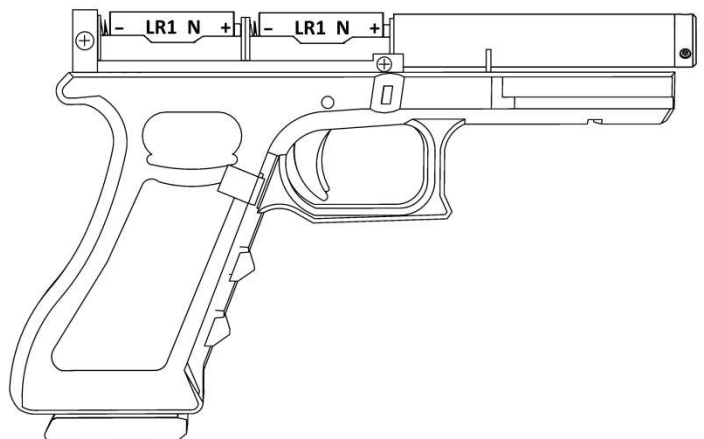
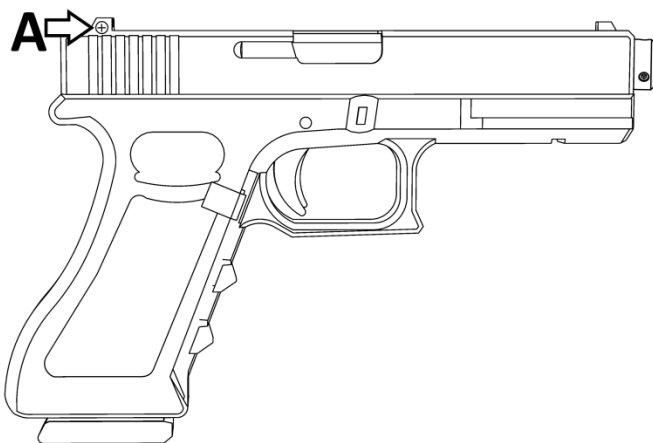
The laser pistol does not have an on/off switch. It switches on automatically when the trigger is pulled and switches off again after a few minutes of non-use.

continuous lighting

If the trigger is pulled continuously for a few seconds, the gun switches to a mode in which the laser lights up permanently. This can be used to adjust the laser and test the calibration of the system. In this mode, the laser runs at reduced power - but the above safety rules must still be observed. By pulling the trigger, the laser gun switches back to normal mode, in which each pull of the trigger results in a short laser pulse of approx. 40 ms duration.

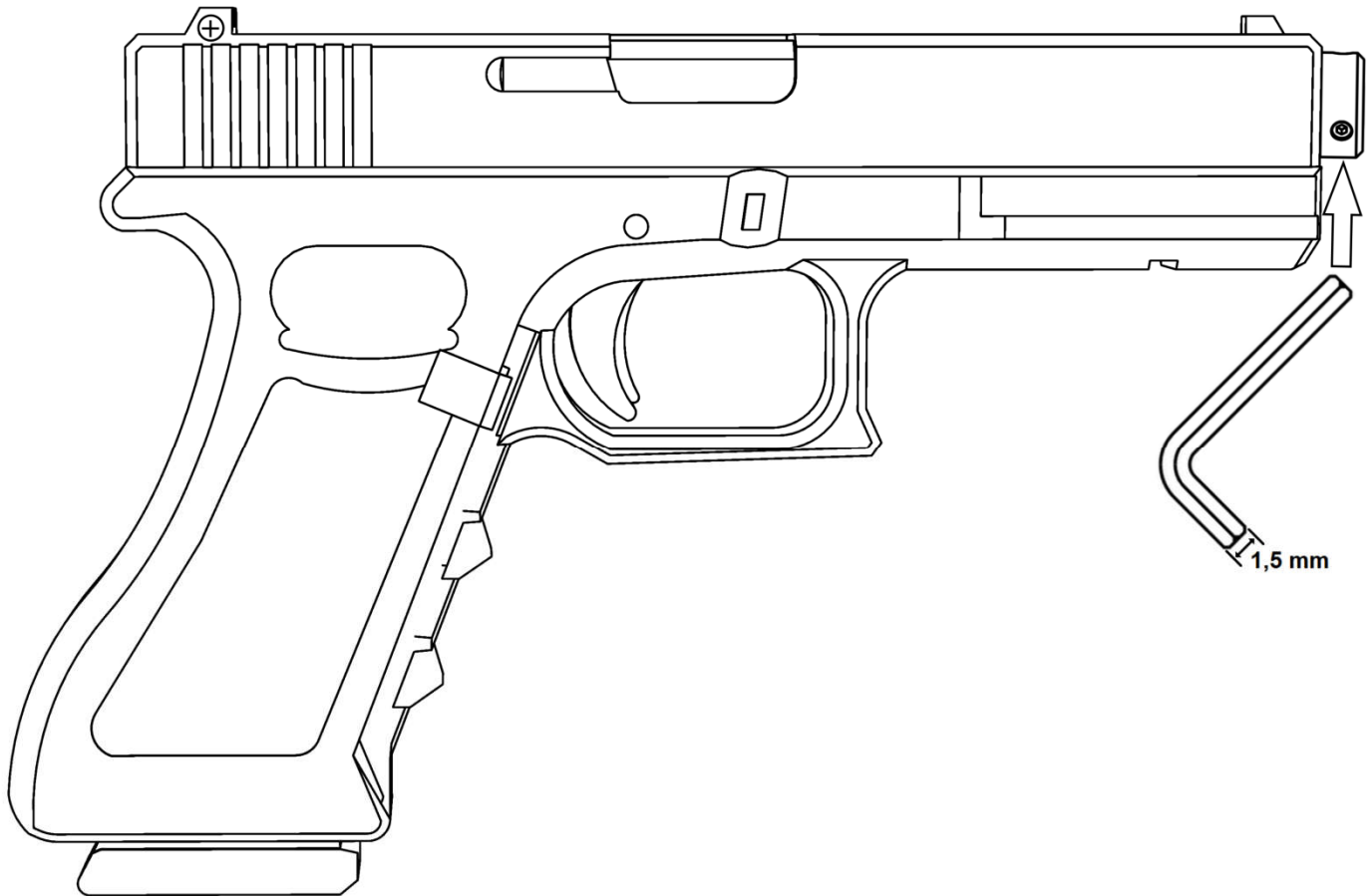
battery change

To change the batteries, the carriage must be removed. To do this, screw A must first be removed. Then you can pull the slide back a little and pull the two halves of the slide apart. Now the slide can be removed towards the front. A fine Phillips screwdriver is needed to loosen the screw. When inserting new batteries, make sure that the polarity is correct. Two LR1 batteries are required.



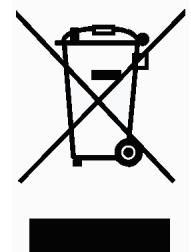
adjusting the laser

The laser can be adjusted by means of 3 small screws on the barrel. An Allen key with a width of 1.5 mm is needed for this. First loosen the screw on the side to which the laser is to be moved. Then gently tighten the other two screws.



disposal

Electrical and electronic equipment that falls under the "ElektroG" Act is marked with the accompanying label and may no longer be disposed of as residual waste, but can be handed in free of charge at municipal collection points, e.g. recycling centers.



As an end consumer, you are legally obliged (Battery Ordinance) to return used batteries and accumulators. Batteries and rechargeable batteries containing harmful substances are marked with the adjacent label. Disposal with household waste is prohibited. Used batteries/rechargeable batteries can be disposed of free of charge at municipal collection points, e.g. recycling centers or wherever batteries/rechargeable batteries are sold!

Philipp Meißner, Friedrichshaller Str. 38, 70439 Stuttgart